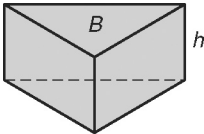
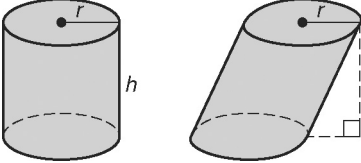
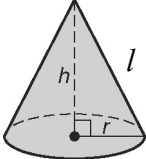
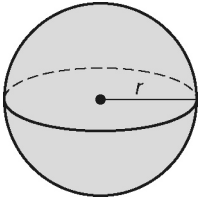
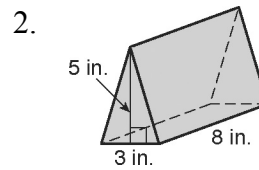
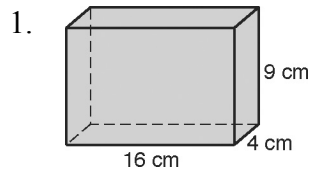


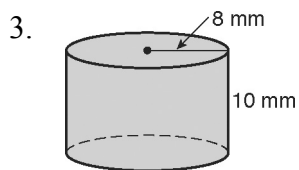
Ch. 11 Extension: **Surface Area**

Prism	$SA = 2B + Ph$	
Cylinder	$SA = 2B + Ch$ $SA = 2\pi r^2 + 2\pi rh$	
Cone	$SA = B + \frac{1}{2}Cl$ $SA = \pi r^2 + \pi rl$	
Sphere	$SA = 4\pi r^2$	

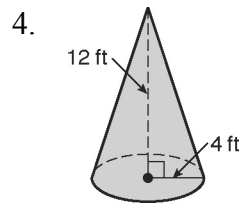
Find the surface area of each prism.



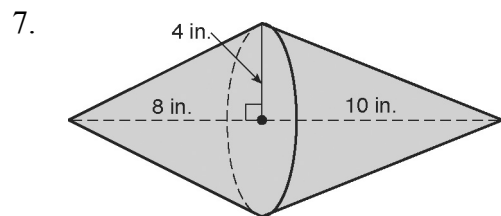
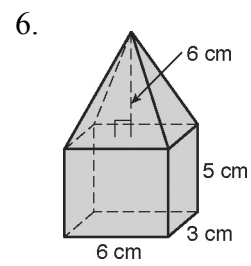
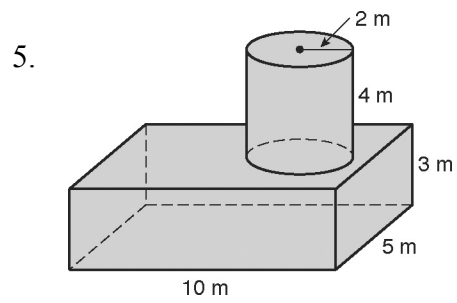
Find the surface area of the cylinder. Give your answer in terms of π .



Find the surface area of the cone. Give your answer in terms of π .



Find the surface area of the composite figure.



8. Find the volume of a cylinder with surface area $210\pi \text{ m}^2$ and height 9 in.

9. Find the volume of a square pyramid with slant height 17 in. and surface area 800 in^2 .